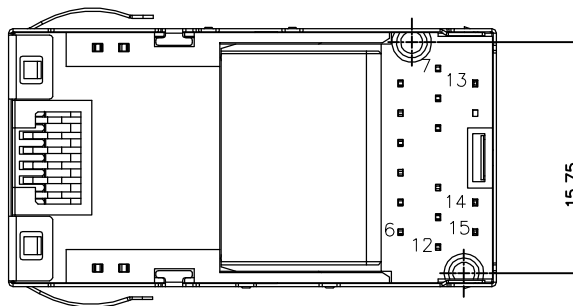
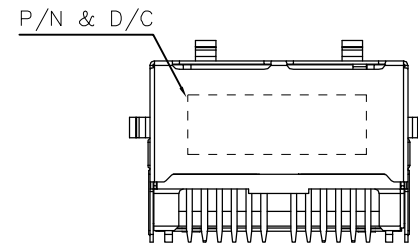
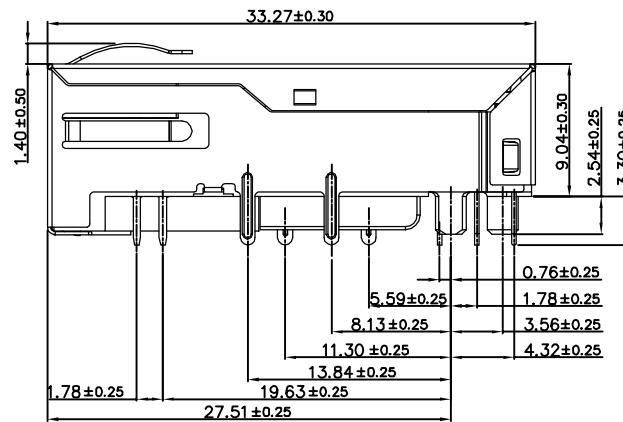
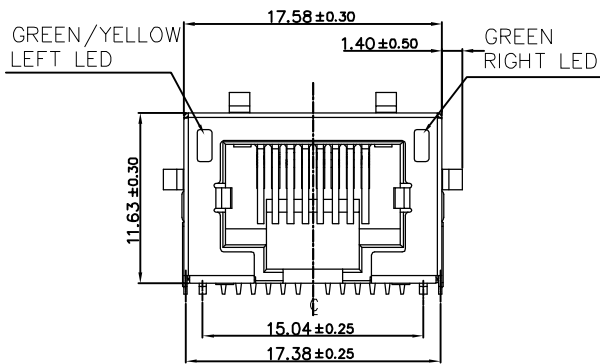
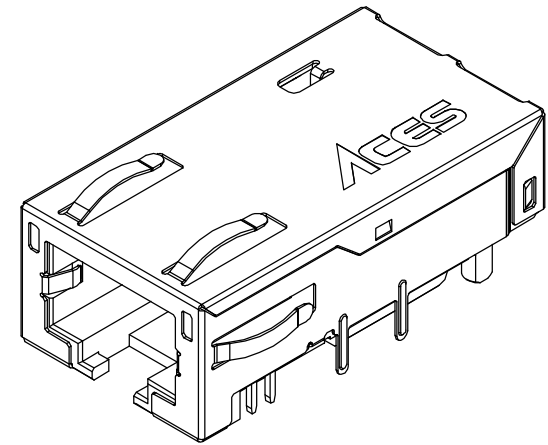
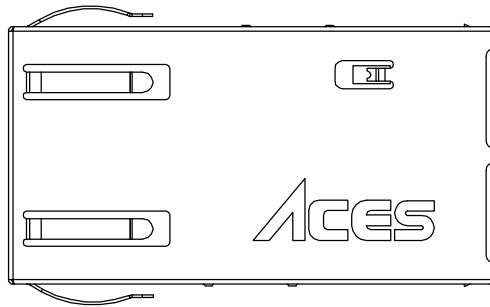




1.0: MECHANICAL SPECIFICATION:



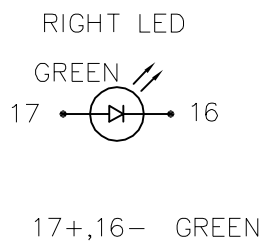
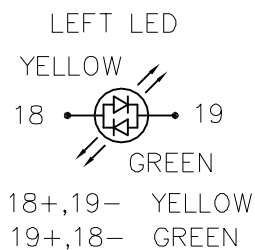
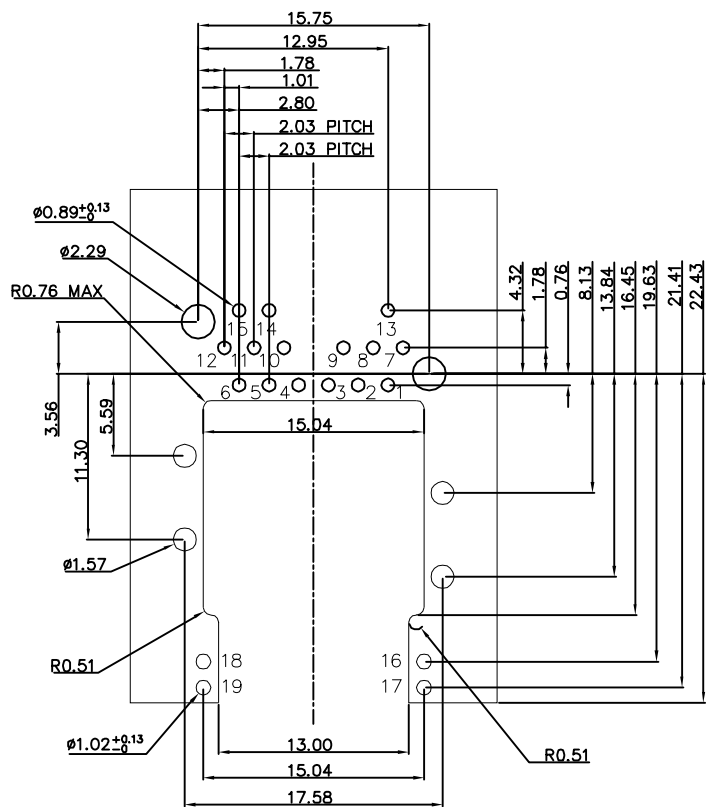
<b>TOLERANCES</b> X. ±0.5 .XX ±0.15 .X ±0.25 .XXX ±0.1 ANGLES ±2°		<b>Aces Electronics Co.,Ltd.</b>		
<b>SYMBOLS</b> <b>INDICATE CLASSIFICATION DIMENSION</b>		<b>TITLE</b> 1.02mm Pitch RJ45 Transformer Jack Conn. T/H R/A 10G tap down sink 1X1 type.		<b>PREPARED</b> WUXIAOQUANG 16'/10/19
<b>MARK IS CRITICAL DIM.</b> <b>MARK IS MAJOR DIM.</b>		<b>DWG NO</b> 30817-XXXXXXXX-XXX		<b>CHECKED</b> ANDREW
		<b>APPROVED</b> CHARLESLEE		
<b>FINISH</b>	<b>SCALE</b> 1:1	<b>UNITS</b> mm		(SHEET) 1 OF 5 SIZE A4 REV 0

A | B | C | D | E | F

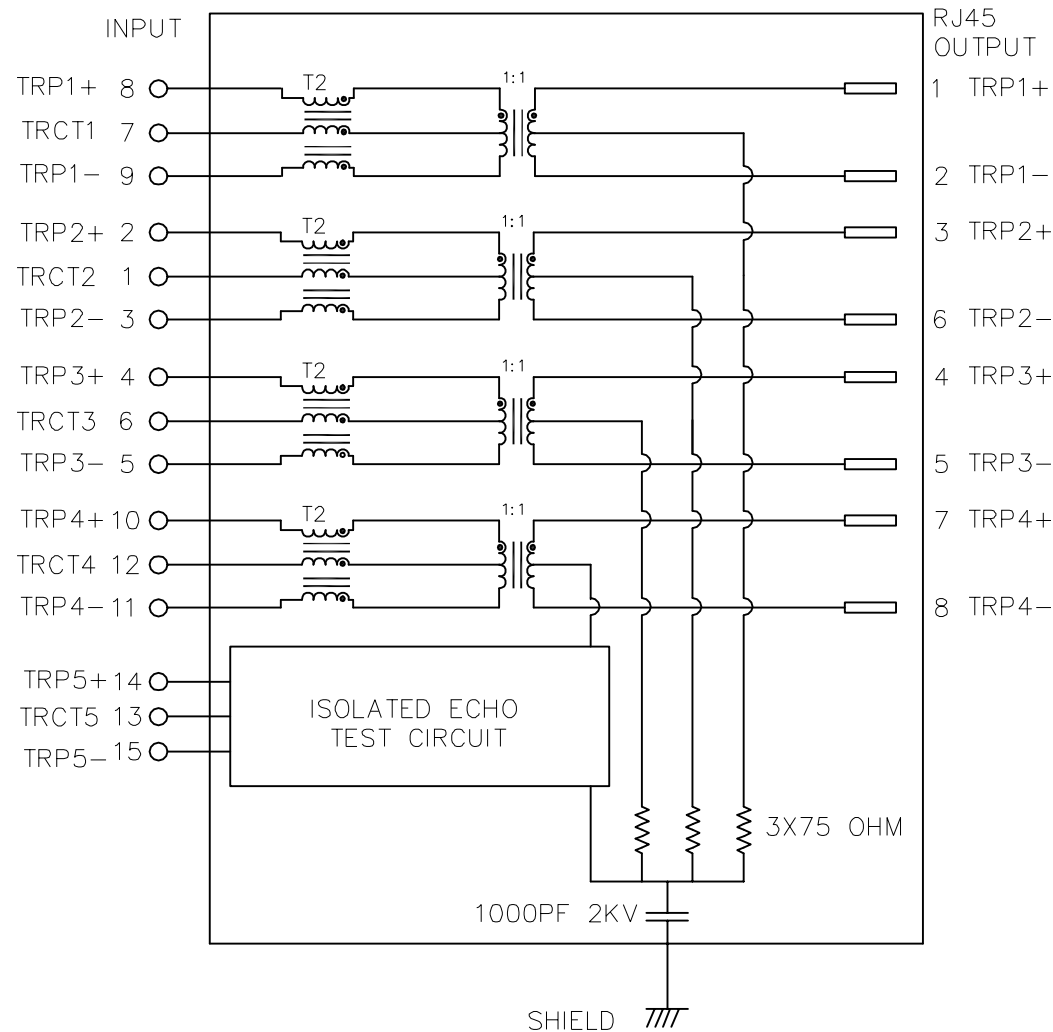
1  
2  
3  
4  
5



2.0: RECOMMEND P.C.B LAYOUT: (COMPONENT SIDE)  
TOLERANCE: ±0.05mm



3.0: SCHEMATIC:



<b>TOLERANCES</b> X ±0.5    .XX ±0.15 .X ±0.25    .XXX ±0.1 ANGLES    ±2°		<b>Aces Electronics Co.,Ltd.</b>								
<b>SYMBOLS</b> INDICATE CLASSIFICATION DIMENSION		<b>TITLE</b> 1.02mm Pitch RJ45 Transformer Jack Conn. T/H R/A 10G tap down sink 1X1 type.		PREPARED WUXIAOQUANG 16'/10/19						
MARK IS CRITICAL DIM. MARK IS MAJOR DIM.		<b>DWG NO</b> 30817-XXXXXXXX-XXX		CHECKED ANDREW APPROVED CHARLESLEE						
<b>FINISH</b> _____		<b>SCALE</b> 1:1	<b>UNITS</b> mm	<table border="1"> <tr> <td>(SHEET)</td> <td>SIZE</td> <td>REV</td> </tr> <tr> <td>2 OF 5</td> <td>A4</td> <td>0</td> </tr> </table>	(SHEET)	SIZE	REV	2 OF 5	A4	0
(SHEET)	SIZE	REV								
2 OF 5	A4	0								



# 4.0: P/N RULE CODE:

30817-M B A A1 6 01 T -001

001: NORMAL

Packing:  
T: Tray package

Mechanical Series(W/Logo&LED,  
W/ All spring )

PLATING CODE

6: 50u" selected Gold plating over 50u" min. Nickel.

CIRCUIT TYPE: A1

LED POLARITY CODE  
A: POLARITY ACCORD

LED CODE:

		LEFT LED						
		ORANGE	GREEN	YELLOW	G/O	G/Y	R/Y	W/O LED
RIGHT LED	ORANGE	1	2	3	4	5	6	/
	GREEN	7	8	9	A	B	C	
	G/O	D	E	F	G	H	I	
	YELLOW	J	K	L	M	N	P	
	G/Y	Q	R	S	T	U	V	
	R/Y	Z	X	Y	/	/	/	
W/O LED		/						0

M: MOUDLE+H(Halogen free)

30817: RJ Series

<b>TOLERANCES</b> X. ±0.5 .XX ±0.15 .X ±0.25 .XXX ±0.1 ANGLES ±2°		<b>Aces Electronics Co.,Ltd.</b>		
<b>SYMBOLS</b> <b>INDICATE CLASSIFICATION DIMENSION</b>	<b>TITLE</b> 1.02mm Pitch RJ45 Transformer Jack Conn. T/H R/A 10G tap down sink 1X1 type.		<b>PREPARED</b> WUXIAOQUANG 16'/10/19	
	<b>DWG NO</b> 30817-XXXXXXXX-XXX		<b>CHECKED</b> ANDREW	
<b>MARK IS CRITICAL DIM.</b> <b>MARK IS MAJOR DIM.</b>	<b>APPROVED</b> CHARLESLEE		(SHEET) 3 OF 5 <b>SIZE</b> A4 <b>REV</b> 0	
<b>FINISH</b> _____	<b>SCALE</b> 1:1	<b>UNITS</b> mm		



5.0 NOTES:

5.1. MATERIAL SPECIFICATION;

- 1-1 Plastic Housings:
  - A. Housings: Thermoplastic, UL 94V-0
  - B. Transformer Housing: Thermoplastic, UL94V-0
- 1-2 Terminals:
  - A. RJ Contacts: Phosphor Bronze
  - B. RJ Solder Pins: Brass
  - C. Transformer Housing Solder Pins: Copper Alloy
  - D. LED Solder Pins: Copper Alloy
- 1-3 Shields:
  - A. Shield: Brass
- 1-4 Plating:
  - A. RJ Contacts: As P/N specified
  - B. RJ Solder Pins: 100u"min. Matte Tin over 50u" Nickel under-plating
  - D. LED Solder Pins: 100u"min. Tin over 50u" Nickel under-plating
  - E. Shield Grounding Legs: Nickel-plating

5.2. LED Code

Emitting Color	$\lambda_p$ (nm)TYPE	Vf@IF=20mA
Green	565	1.7-2.6V
Yellow	585	1.7-2.6V
Orange	610	1.7-2.6V

5.3 ELECTRICAL CHARACTERISTICS

- 1-1. OCL :@ 100K HZ , 0.1V , 140uH Min
- 1-2. Turn Ratio : 1CT:1CT +/- 2%
- 1-3.Insertion Loss : @ 1-400MHZ -2.0dB Max  
@ 400-500MHZ -3.0dB Max
- 1-3. Return Loss :
  - @ 1-100MHZ -22dB Min.
  - @ 100MHZ-500MHZ -22+18.27LOG(f/100)dB Min.
- 1-5. Cross Talk : 1- 100 MHZ -28dB Min.  
100-500MHZ -19dB Min.
- 1-6.Common Mode Rejection :
  - 1-100 MHZ -35dB Min.
  - 100-300 MHZ -30dB Min.
  - 300-500 MHZ -25dB Min.
- 1-7. Common Mode to Differential Mode Rejection :
  - 1-250 MHZ -30dB Min.
  - 250-500 MHZ -22dB Min.
- 1-8.Isolation Hi-Pot : 2250VDCMin@ 60S

5.4. OPERATING & TEST REQUIRMENTS

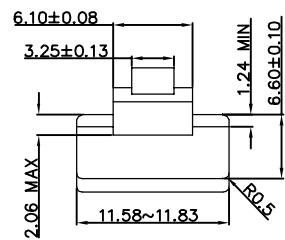
Product is designed to meet electrical, mechanical and environmental performance requirements specified below. All tests are performed at ambient environmental conditions per MIL-STD-1344A and EIA-364 unless otherwise specified:

- 1-1 Operating Temperature Range: 0°C TO +70°C
- 1-2 Storage Temperature: -40°C to 85°C

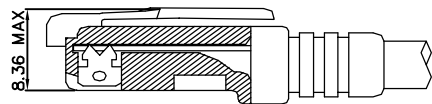
<b>TOLERANCES</b> X. ±0.5 .XX ±0.15 .X ±0.25 .XXX ±0.1 ANGLES ±2°		<b>Aces Electronics Co.,Ltd.</b>			
<b>SYMBOLS</b> <b>INDICATE CLASSIFICATION DIMENSION</b>  <b>MARK IS CRITICAL DIM.</b> <b>MARK IS MAJOR DIM.</b>	<b>TITLE</b> 1.02mm Pitch RJ45 Transformer Jack Conn. T/H R/A 10G tap down sink 1X1 type.		<b>PREPARED</b> WUXIAOQUANG 16'/10/19		
	<b>DWG NO</b> 30817-XXXXXXXX-XXX		<b>CHECKED</b> ANDREW  <b>APPROVED</b> CHARLESLEE		
<b>FINISH</b> _____	<b>SCALE</b> 1:1	<b>UNITS</b> mm		<b>(SHEET)</b> 4 OF 5	<b>SIZE</b> A4 <b>REV</b> 0



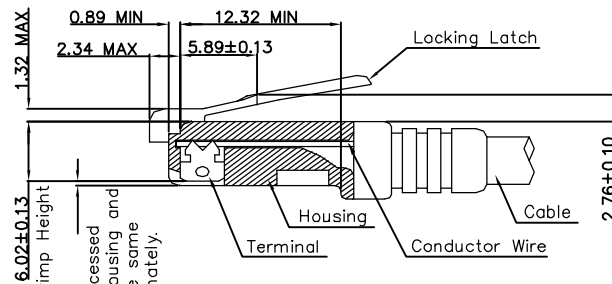
### 6.0 RECOMMEND RJ PLUG SPECIFICATION



There must be no damage to housing or locking latch. There must be no nicks or cuts in cable. Durability : 750 cycles generally



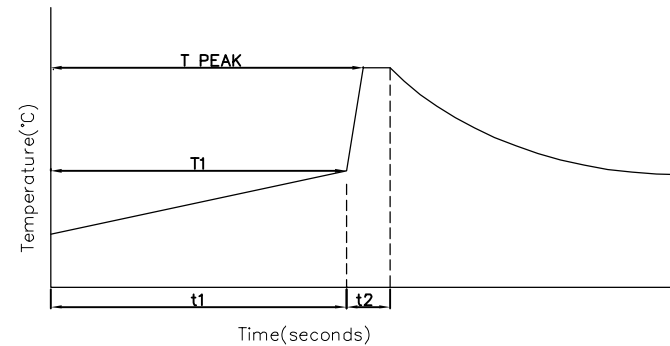
FOLLOW SPECIFICATION: FCC,PART 68. SUBPART F FIGURE 68.500 (C)(2)(ii)



All contacts recessed below top of housing and must be at the same height approximately.

FOLLOW SPECIFICATION: FCC,PART 68. SUBPART F FIGURE 68.500 (C)(2)(ii) AND IEC 603-7 FIGURE 23 & 24

### 7.0 RECOMMEND WAVE SOLDERING PROFILE



PARAMETER	REFERENCE	LEAD FREE SPECIFICATION
PREHEAT TEMPERATURE GRADIENT		+1~4℃/sec
PREHEAT TIME	t1	2~3 MIN
PREHEAT TEMPERATURE	T1	>100℃
SOLDER POT TEMPERATURE	T PEAK	265℃±5℃
DWELL TIME	t2	5 SEC
PEAK BOARD TOP TEMPERATURE		190℃
COOLING TEMPERATURE GRADIENT		-6℃/SEC MAX.

<b>TOLERANCES</b> X. ±0.5 .XX ±0.15 .X ±0.25 .XXX ±0.1 ANGLES ±2°		<b>Acs Electronics Co.,Ltd.</b>			
<b>SYMBOLS</b> INDICATE CLASSIFICATION DIMENSION MARK IS CRITICAL DIM. MARK IS MAJOR DIM.	<b>TITLE</b> 1.02mm Pitch RJ45 Transformer Jack Conn. T/H R/A 10G tap down sink 1X1 type.		PREPARED WUXIAO GUANG 16'/10/19		
	DWG NO 30817-XXXXXXXX-XXX		CHECKED ANDREW APPROVED CHARLES LEE		
FINISH _____	SCALE 1:1	UNITS mm		(SHEET) 5 OF 5	SIZE A4
				REV 0	